

SPECIFICATION DATA SHEET

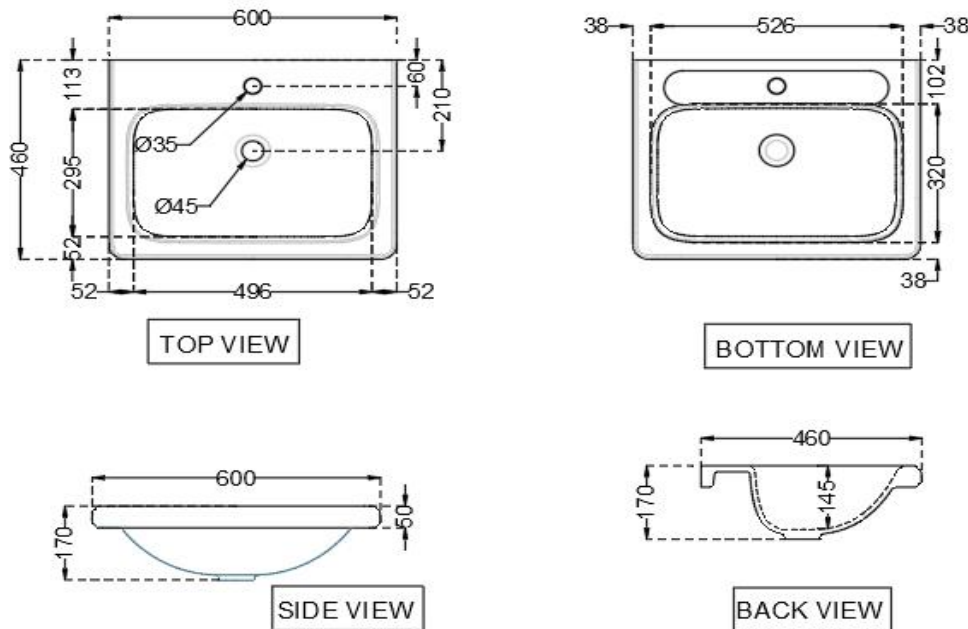
PRODUCT DETAILS

| | | | |
|---------------------------|--|--|-------------------|
| Manufacturer : | Artize | Type: | Counter top basin |
| Outlet | Vertical | Colour: | White |
| Technical Details: | Tap hole dia. \varnothing 35 \pm 2 mm. | Material: | Ceramic-FFC |
| | ID of waste outlet hole dia. \varnothing 45 \pm 3 mm | Horizontal distance between the Bowl edge and the centre line of the waste outlet hole \leq 210 mm | |

PRODUCT IMAGE



TECHNICAL DRAWING



| | | |
|------------------------------|----------------|---|
| Product Dimension | 600x460x170 mm | FEATURES Rectangular Shape with Soft Edges, Tap Hole, Anti-germ glaze and with Victorian look and Elegant Design. |
| Basin Inner Dimension | 496x295x145 mm | |
| Product Weight | 12.05 kg. | |

ACCESSORIES INCLUDED

Template

Template

CERTIFICATION

Compliance : EN 14688:2015 (E), EN 997 :2012+A1:2015



DISCLAIMER: Our every effort has been made to ensure factual accuracy, the information presented subject to changes due to requirements in different sites, markets and/ or countries. All dimensions are in mm (Tolerance \pm 5 MM). Jaquar reserves the right to make the necessary amendments at any time without prior notice.